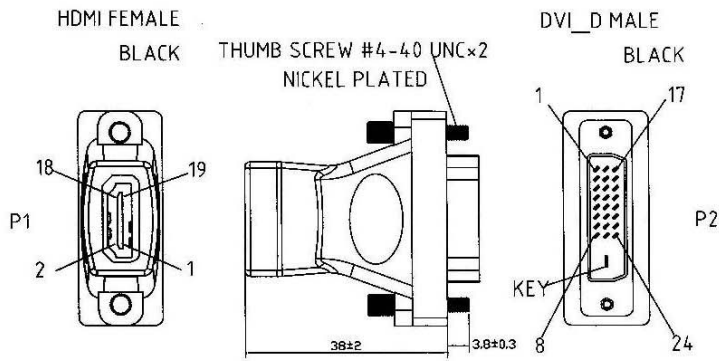


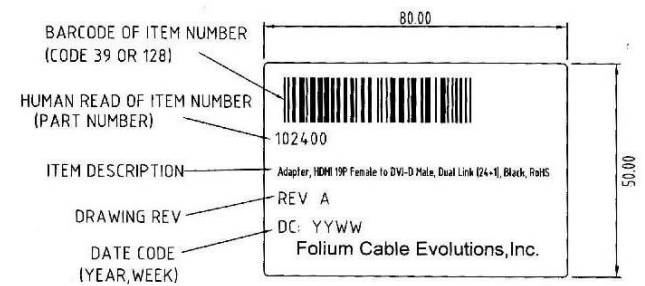
THE INFORMATION AND ILLUSTRATIONS CONTAINED IN THIS DRAWING ARE THE PROPERTY OF FOLIUMCEI. ANY UNAUTHORIZED REPRODUCTION IN WHOLE OR IN PART IS STRICTLY PROHIBITED.

REVISIONS			
REV	DESCRIPTION	DATE	APPROVED
A	INITIAL RELEASE	3/1/2007	GS



HDMI	PIN OUT	DVI_D	P2 CABLE FUNCTION
P1			
1		2	TMDS DATA 2+
3		1	TMDS DATA 2-
2		3	TMDS DATA 2 SHIELD
4		10	TMDS DATA 1+
6		9	TMDS DATA 1-
5		11	TMDS DATA 1 SHIELD
7		18	TMDS DATA 0+
9		17	TMDS DATA 0-
8		19	TMDS DATA 0 SHIELD
10		23	TMDS CLOCK +
12		24	TMDS CLOCK -
11		22	TMDS CLOCK SHIELD
15		6	DDC CLOCK(SCL)
16		7	DDC DATA(SDA)
17		15	GROUND(+5V&DDC)
18		14	POWER +5V
19		16	HOT PLUG DETECT
SHELL			SHELL GROUND

NOTE:
 1.HOOK UP WIRE
 2.CONNECTOR:
 P1: HDMI 19P FEMALE CONTACT:GOLD PLATED 15u"; SHELL:NICKEL PLATED.
 P2: DVI 24+KEY DIGITAL MALE CONTACT:GOLD FLASH,SHELL:NICKEL PLATED.
 3.INNER MOLD WITH COPPER FOIL
 4.HOOD:MOLDED TYPE,PVC 45P,COLOR:BLACK(INK-K01) .
 5.ELECTRICAL TEST:
 (1)100% OPEN SHORT & MIS WIRE TEST.
 (2)CONTACT RESISTANCE 3 ohm Max .
 (3)INSULATION RESISTANCE 10M ohm Min .
 6.PACKING:EACH PC / POLYBAG+LABEL



UNLESS OTHERWISE SPECIFIED, DIMENSIONS ARE IN INCHES. TOLERANCES ARE:
 .X ±.1
 .XX ±.05
 .XXX ±.005
 CABLE LENGTH TOLERANCE
 <300' ±5% >300' ±2%

APPROVALS	DATE
DRAWN BY SC	03/01/2007
CHECKED BY MH	03/01/2007
APPROVED BY GS	03/01/2007

FOLIUM CABLE EVOLUTIONS, INC.
 PLUG IN TO PERFECTION
 www.foliumcei.com

ITEM DESCRIPTION
ADAPTER, HDMI 19P FEMALE TO DVI-D MALE, DUAL LINK (24+1)

SIZE **A** ITEM NUMBER **102400** REV. **A**

SCALE: NONE | CAD FILE: AUTHORIZED ACCESS ONLY | SHEET 1 OF 1