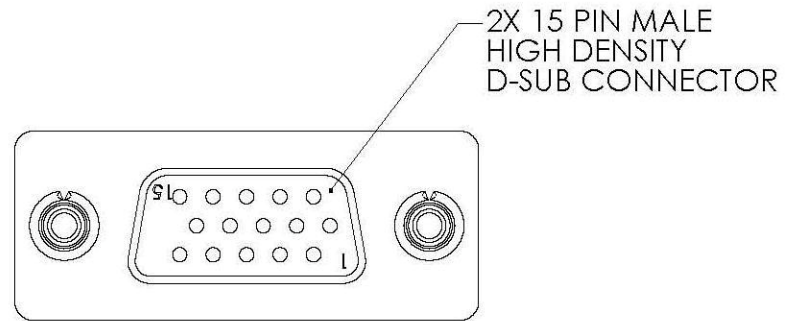
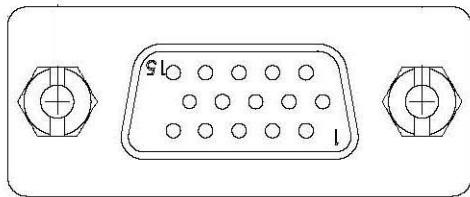
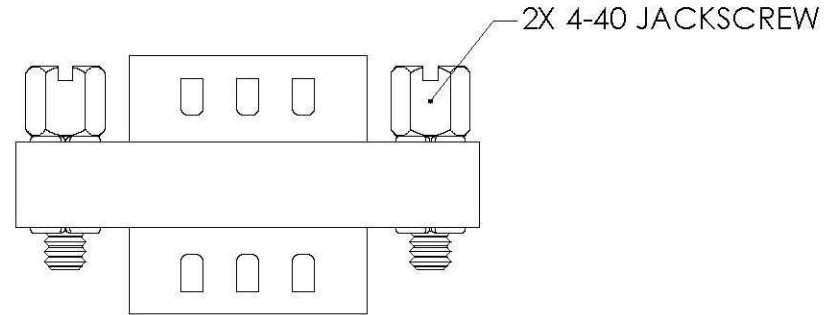
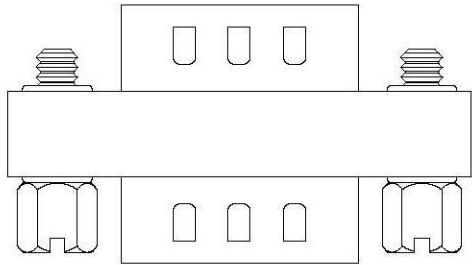


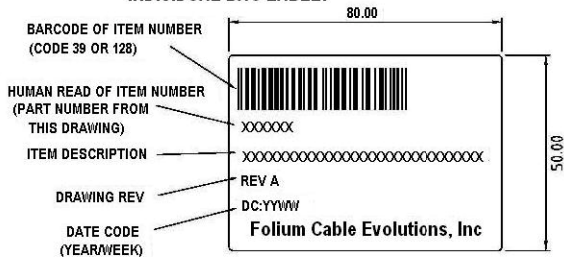
THE INFORMATION AND ILLUSTRATIONS CONTAINED IN THIS DRAWING ARE THE PROPERTY OF FOLIUMCEI. ANY UNAUTHORIZED REPRODUCTION IN WHOLE OR IN PART IS STRICTLY PROHIBITED.

REVISIONS			
REV	DESCRIPTION	DATE	APPROVED
A	INITIAL RELEASE	3/1/2007	GS



ALL PINS WIRED STRAIGHT THROUGH

INDIVIDUAL BAG LABEL:



UNLESS OTHERWISE SPECIFIED, DIMENSIONS ARE IN INCHES. TOLERANCES ARE:
 .X ±.1
 .XX ±.05
 .XXX ±.005
 CABLE LENGTH TOLERANCE
 <300" ±5% >300" ±2%

APPROVALS	DATE
DRAWN BY SC	03/01/2007
CHECKED BY MH	03/01/2007
APPROVED BY GS	03/01/2007



ITEM DESCRIPTION		
GENDER CHANGER, HD15 MALE / MALE		
SIZE	ITEM NUMBER	REV.
A	107200	A
SCALE: NONE CAD FILE: AUTHORIZED ACCESS ONLY SHEET 1 OF 1		