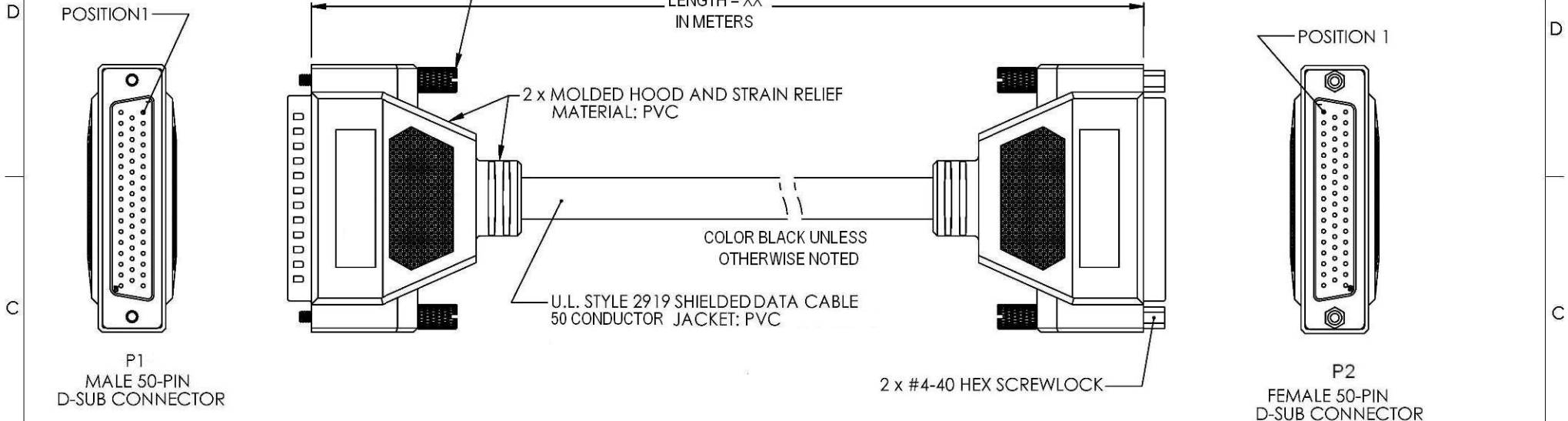


THE INFORMATION AND ILLUSTRATIONS CONTAINED IN THIS DRAWING ARE THE PROPERTY OF FOLIUMCEI. ANY UNAUTHORIZED REPRODUCTION IN WHOLE OR IN PART IS STRICTLY PROHIBITED.

REVISIONS			
REV	DESCRIPTION	DATE	APPROVED
A	INITIAL RELEASE	3/1/2007	GS

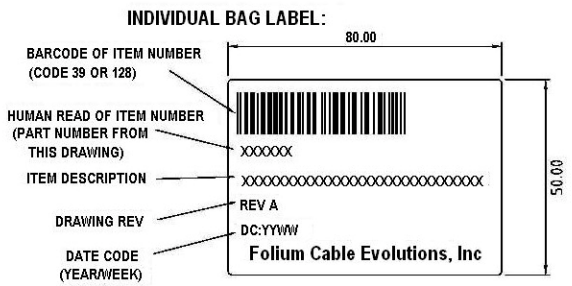


P1
MALE 50-PIN
D-SUB CONNECTOR

P2
FEMALE 50-PIN
D-SUB CONNECTOR

P1	P2
1	1
2	2
3	3
4	4
5	5
6	6
7	7
8	8
9	9
10	10
11	11
12	12
13	13
...ETC...	...ETC...
49	49
50	50
SHELL	SHELL

ALL PINS WIRED
STRAIGHT-THROUGH



- NOTES:
 1. CABLE ASSEMBLY SHALL BE TESTED FOR CONTINUITY
 2. EACH CABLE ASSEMBLY SHALL BE PACKAGED IN A POLY BAG



UNLESS OTHERWISE SPECIFIED,
DIMENSIONS ARE IN INCHES.
TOLERANCES ARE:
 .X ±.1
 .XX ±.05
 .XXX ±.005
 CABLE LENGTH TOLERANCE
 <300" ±5% >300" ±2%

APPROVALS	DATE
DRAWN BY SC	03/01/2007
CHECKED BY MH	03/01/2007
APPROVED BY GS	03/01/2007

ITEM DESCRIPTION
**D-SUB CABLE ASSY, DB50 MALE / FEMALE,
 MOLDED, SHIELDED**

SIZE A	ITEM NUMBER 2010XX where "XX" = Length in Meters	REV. A
------------------	---	------------------

SCALE: NONE CAD FILE: AUTHORIZED ACCESS ONLY SHEET 1 OF 1